

Automation  
Simplified...



Solenoid Valve

Angle Seat Valve

Rotary Coupling

Pneumatic Directional Control Valve

Actuator

Cylinder

One Touch Fitting

Ball Valve

Butterfly Valve

Country of Origin - INDIA



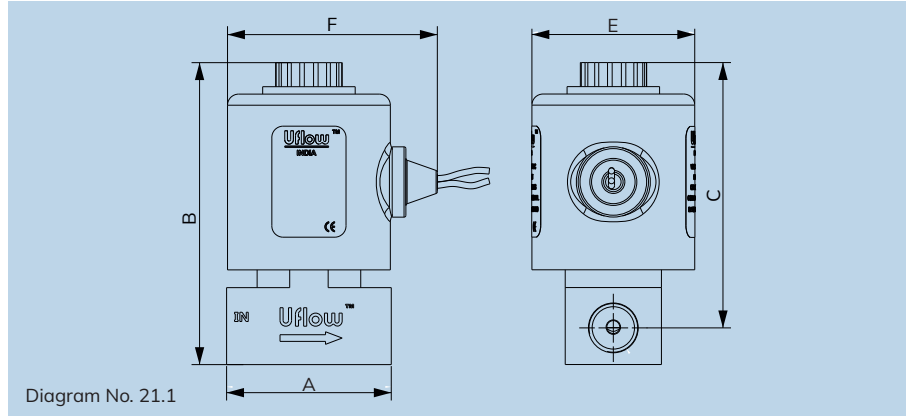
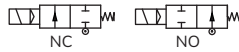


Diagram No. 21.1



**Specifications**

Port :	1/8", 1/4", 3/8" & 1/2" (Available BSP / NPT)				
End Connection :	Screwed				
Body Material :	SS ASTM A351 Grade CF8 / CF8M, Forged Brass, Aluminium				
Diaphragm:	Nitrile (NBR)	EPDM	Viton (FKM)	Silicone	
Media Temp:	-30°C to 90°C	-10°C to 140°C	-10°C to 180°C	-10°C to 60°C	
Circumstance Temp :	-10°C to 70°C				
Media :	Air, Chemical, Gas, Oil, Steam, Hot Water				
Main Features :	Internal Parts are in superior corrosion resistance steel, (Equivalent to SS316L) Suitable for Food Industries, Pharmaceuticals, Chemical application & Highly corrosive environment.				
Operating Voltage :	24AC	110AC	230AC	12DC	24DC
Power Consumption :	9W	9W	9W	10W	11W
Coil Features :	High Reliability Unaffected by Voltage Surges. Easy coil changes coil lockable in 4X90 position or freely movable in between as require.				
Coil Housing :	IP65 Epoxy square coil, IP65 Metallic round enclosure, IP67 Flameproof enclosure, IP68 Weatherproof enclosure.				
Optional Feature :	90% Power saver series also available & Latching as per Application.				
Other Specification Data :	Available on Request. - Manual Override				

NOTE: Use of filter in the inlet port is recommended.

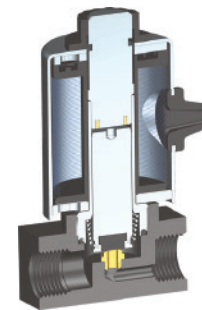
**Dimension - NC** (All dimensions in mm)

All Dimensions are approx.

Model No.	Port Size	Diagram No.	A	B	C	E	F
DAS-DA104E030	1/4"	21.1	44.5	81	71	38	49
DAS-DB104E040	1/4"	21.1	43	83	74	38	49
DAS-D104E040	1/4"	21.1	43	83	74	38	49
DAS-DR704E040	3/8"	21.1	48	88	75	38	49
DAS-DR204E040	1/2"	21.1	48	88	75	38	49
DAS-D202I120	1/2"	21.1	55	109	96	50	62
DAS-DA204I050	1/2"	21.1	53	102	88	50	62
DAS-DR004C020	1/8"	21.1	38	58	49	28	33
DAS-D204E040	1/2"	21.1	48	88	75	38	49

In normally open valve dimension B&C will increase up to 8mm.

**Section View**



**Technical Data**

Model No.	Body Material	Port Size	Orifice (mm)		Min. Operating Pressure Kg/cm <sup>2</sup>	Max. Operating Pressure Kg/cm <sup>2</sup>	Seal & Diaphragm Material	Flow Factor Kv m <sup>3</sup> / hr	
			NC	NO				NC	NO
DAS-DA113F050	Aluminium	1/4"	5	4	0	4	NBR / FKM / EPDM	0.73	0.54
DAS-DA104E030	Aluminium	1/4"	3	2.5	0	10	NBR / FKM / EPDM	0.20	0.16
DAS-DA105E022	Aluminium	1/4"	2.2	1.8	0	16	NBR / FKM / EPDM	0.16	0.10
DAS-DA111E022	Aluminium	1/4"	2.2	1.8	0	25	NBR / FKM / EPDM	0.16	0.10
DAS-DA118E018	Aluminium	1/4"	1.8	1.3	0	40	NBR / FKM / EPDM	0.10	0.05
DAS-DA117E015	Aluminium	1/4"	1.5	1.3	0	60	NBR / FKM / EPDM	0.07	0.05
DAS-DA204I050	Aluminium	1/2"	5	NA	0	10	NBR / FKM / EPDM	0.73	-

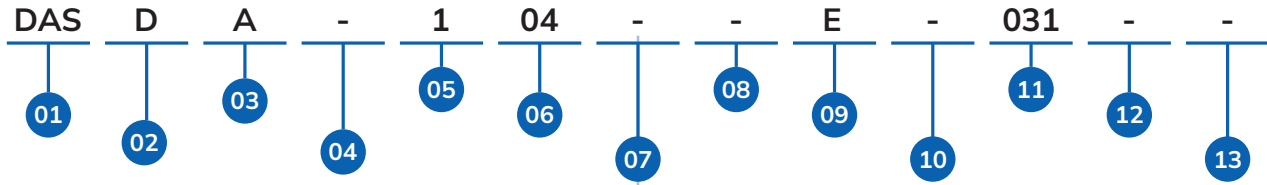
## Technical Data

Model No.	Body Material	Port Size	Orifice (mm)		Min. Operating Pressure Kg/cm <sup>2</sup>	Max. Operating Pressure Kg/cm <sup>2</sup>	Seal & Diaphragm Material	Flow Factor Kv m <sup>3</sup> / hr	
			NC	NO				NC	NO
DAS-DA204E040	Aluminium	½"	4	2.5	0	10	NBR / FKM / EPDM	0.54	0.16
DAS-DA205E030	Aluminium	½"	3	2	0	16	NBR / FKM / EPDM	0.20	0.11
DAS-DA204I050	Aluminium	½"	5	4	0	10	NBR / FKM / EPDM	0.73	0.54
DAS-DA217I025	Aluminium	½"	2.5	NA	0	60	NBR / FKM / EPDM	0.16	-
DAS-DR017E018	Brass	⅛"	1.8	NA	0	60	NBR / FKM / EPDM	0.10	-
DAS-DR115E060	Brass	¼"	6	NA	0	1	NBR / FKM / EPDM	0.84	-
DAS-DR113E050	Brass	¼"	5	4	0	4	NBR / FKM / EPDM	0.73	0.54
DAS-DR104E040	Brass	¼"	4	2.5	0	10	NBR / FKM / EPDM	0.54	0.16
DAS-DR105E030	Brass	¼"	3	2.5	0	16	NBR / FKM / EPDM	0.20	0.16
DAS-DR111E025	Brass	¼"	2.5	1.8	0	25	NBR / FKM / EPDM	0.16	0.10
DAS-DR118E020	Brass	¼"	2	1.3	0	40	NBR / FKM / EPDM	0.11	0.05
DAS-DR117E018	Brass	¼"	1.8	1.3	0	60	NBR / FKM / EPDM	0.10	0.05
DAS-DR120E015	Brass	¼"	1.5	0.9	0	100	NBR / FKM / EPDM	0.07	0.03
DAS-DR112E013	Brass	¼"	1.3	NA	0	150	NBR / FKM / EPDM	0.05	--
DAS-DR713E050	Brass	⅜"	5	4	0	4	NBR / FKM / EPDM	0.73	0.54
DAS-DR704E040	Brass	⅜"	4	2.5	0	10	NBR / FKM / EPDM	0.54	0.16
DAS-DR705E030	Brass	⅜"	3	2	0	16	NBR / FKM / EPDM	0.20	0.11
DAS-DR711E025	Brass	⅜"	2.5	1.8	0	25	NBR / FKM / EPDM	0.16	0.10
DAS-DR718E020	Brass	⅜"	2	1.5	0	40	NBR / FKM / EPDM	0.11	0.03
DAS-DR717E018	Brass	⅜"	1.8	1.3	0	60	NBR / FKM / EPDM	0.10	0.05
DAS-DR720E015	Brass	⅜"	1.5	0.9	0	100	NBR / FKM / EPDM	0.07	0.03
DAS-DR712E013	Brass	⅜"	1.3	NA	0	150	NBR / FKM / EPDM	0.05	--
DAS-DR215E060	Brass	½"	6	NA	0	1	NBR / FKM / EPDM	0.84	--
DAS-DR213E050	Brass	½"	5	4	0	4	NBR / FKM / EPDM	0.73	0.54
DAS-DR204E040	Brass	½"	4	2.5	0	10	NBR / FKM / EPDM	0.54	0.16
DAS-DR205E030	Brass	½"	3	2.5	0	16	NBR / FKM / EPDM	0.20	0.16
DAS-DR211E025	Brass	½"	2.5	1.8	0	25	NBR / FKM / EPDM	0.16	0.10
DAS-DR218E020	Brass	½"	2	1.3	0	40	NBR / FKM / EPDM	0.11	0.05
DAS-DR217E018	Brass	½"	1.8	1.3	0	60	NBR / FKM / EPDM	0.10	0.05
DAS-DR220E015	Brass	½"	1.5	0.9	0	100	NBR / FKM / EPDM	0.07	0.03
DAS-DR212E013	Brass	½"	1.3	NA	0	150	NBR / FKM / EPDM	0.05	--
DAS-D017E018	SS304	⅛"	1.8	NA	0	60	NBR / FKM / EPDM	0.16	--
DAS-D115E060	SS304	¼"	6	6	0	1	NBR / FKM / EPDM	0.84	0.84
DAS-D113E050	SS304	¼"	5	4	0	4	NBR / FKM / EPDM	0.73	0.54
DAS-D104E040	SS304	¼"	4	2.5	0	10	NBR / FKM / EPDM	0.54	0.16
DAS-D105E030	SS304	¼"	3	2	0	16	NBR / FKM / EPDM	0.20	0.11
DAS-D111E025	SS304	¼"	2.5	1.8	0	25	NBR / FKM / EPDM	0.16	0.10
DAS-D118E020	SS304	¼"	2	1.3	0	40	NBR / FKM / EPDM	0.11	0.05
DAS-D117E018	SS304	¼"	1.8	1.3	0	60	NBR / FKM / EPDM	0.10	0.05
DAS-D120E015	SS304	¼"	1.5	0.9	0	100	NBR / FKM / EPDM	0.07	0.03
DAS-D112E013	SS304	¼"	1.3	NA	0	150	NBR / FKM / EPDM	0.05	--
DAS-D713E050	SS304	⅜"	5	4	0	4	NBR / FKM / EPDM	0.73	0.54
DAS-D704E040	SS304	⅜"	4	2.5	0	10	NBR / FKM / EPDM	0.54	0.16
DAS-D705E030	SS304	⅜"	3	2	0	16	NBR / FKM / EPDM	0.20	0.11
DAS-D711E025	SS304	⅜"	2.5	1.8	0	25	NBR / FKM / EPDM	0.16	0.10

## Technical Data

Model No.	Body Material	Port Size	Orifice (mm)		Min. Operating Pressure Kg/cm <sup>2</sup>	Max. Operating Pressure Kg/cm <sup>2</sup>	Seal & Diaphragm Material	Flow Factor Kv m <sup>3</sup> / hr	
			NC	NO				NC	NO
DAS-D718E020	SS304	3/8"	2	1.3	0	40	NBR / FKM / EPDM	0.11	0.05
DAS-D717E018	SS304	3/8"	1.8	1.3	0	60	NBR / FKM / EPDM	0.10	0.05
DAS-D720E015	SS304	3/8"	1.5	0.9	0	100	NBR / FKM / EPDM	0.07	0.03
DAS-D712E013	SS304	3/8"	1.3	NA	0	150	NBR / FKM / EPDM	0.05	--
DAS-DS226E170	SS304	1/2"	17	NA	0	0.200	NBR / SI / FKM / EPDM	3.20	--
DAS-D213E050	SS304	1/2"	5	4	0	4	NBR / FKM / EPDM	0.73	0.54
DAS-D204E040	SS304	1/2"	4	2.5	0	10	NBR / FKM / EPDM	0.54	0.16
DAS-D205E030	SS304	1/2"	3	2.5	0	16	NBR / FKM / EPDM	0.20	0.16
DAS-D211E025	SS304	1/2"	2.5	1.8	0	25	NBR / FKM / EPDM	0.16	0.10
DAS-D218E020	SS304	1/2"	2	1.3	0	40	NBR / FKM / EPDM	0.11	0.05
DAS-D217E018	SS304	1/2"	1.8	1.3	0	60	NBR / FKM / EPDM	0.10	0.05
DAS-D220E015	SS304	1/2"	1.5	0.9	0	100	NBR / FKM / EPDM	0.07	0.03
DAS-D212E013	SS304	1/2"	1.3	NA	0	150	NBR / FKM / EPDM	0.05	--
DAS-DS202I120	SS304	1/2"	12	NA	0	2	NBR / SI / FKM / EPDM	2.10	--
DAS-D202I120	SS304	1/2"	12	NA	0	2	NBR / FKM / EPDM	2.10	--
DAS-D201I120	SS304	1/2"	12	12	0	0.500	NBR / FKM / EPDM	2.10	2.10
DAS-DA004C020	Aluminum	1/8"	2	NA	0	10	NBR / FKM / EPDM	0.11	--
DAS-DA102C025	Aluminum	1/4"	2.5	NA	0	2	NBR / FKM / EPDM	0.16	--
DAS-DA104C020	Aluminum	1/4"	2	NA	0	10	NBR / FKM / EPDM	0.11	--
DAS-DR014C030	Brass	1/8"	3	NA	0	3	NBR / FKM / EPDM	0.20	--
DAS-DR004C020	Brass	1/8"	2	NA	0	10	NBR / FKM / EPDM	0.11	--
DAS-DR104C020	Brass	1/4"	2	NA	0	10	NBR / FKM / EPDM	0.11	--
DAS-D102C020	SS304	1/4"	2	NA	0	2	NBR / FKM / EPDM	0.11	--
DAS-D103C025	SS304	1/4"	2.5	NA	0	7	NBR / FKM / EPDM	0.16	--
DAS-D104C020	SS304	1/4"	2	NA	0	10	NBR / FKM / EPDM	0.11	--

# DAS - SERIES DIRECT ACTING SQUARE TYPE SOLENOID VALVE MODEL CHART



01	SERIES
DAS	

02	PRODUCT TYPE
D	2 Way
T	3 Way

03	BODY MATERIAL
-	SS304
6	SS316
R	Brass Bar
L	SS316L
A	Aluminium

04	SEAL MATERIAL
-	Nitrile
E	EPDM
V	Viton
S	Silicone
F	SPL Viton
U	Fluoro Silicone
J	Viton GLT
P	PTFE
T	Low Temp NBR
D	HNBR
K	PEEK
N	Buna N

05	PORT SIZE	
-	1/8"	
1	1/4"	
2	1/2"	
3	3/4"	
5	7/8"	
7	3/8"	
8	M14	
H	M5	
O	Manifold Mount	

06 PRESSURE RANGE			
00	0 to 350 Mbar	21	0 to 20 Bar
01	0 to 500 Mbar	26	0 to 200 MBar
02	0 to 2 Bar	30	0 to 1.5 Bar
03	0 to 7 Bar	31	0 to 6 Bar
04	0 to 10 Bar	32	0 to 8 Bar
05	0 to 16 Bar	34	0 to 10 PSI
07	0.5 to 8.5 Bar	38	0 to 12 Bar
11	0 to 25 Bar	39	0 to 150 Mbar
12	0 to 150 Bar	42	0 to 13 Bar
13	0 to 4 Bar	43	0 to 15 Bar
14	0 to 3 Bar	44	0 to 18 Bar
15	0 to 1 Bar	46	0 to 21 Bar
17	0 to 60 Bar	47	0 to 35 Bar
18	0 to 40 Bar	48	20 to 110 Bar
19	0 to 5 Bar	52	-1 to 1 Bar
20	0 to 100 Bar		

07	PORT CONNECTION	
-	BSP	
N	NPT	
P	BSPT	
R1	Namur Bsp	
T1	Namur Npt	
2	Manifold	
4	UNF	
9	MM	
5	Barb	

08	VALVE POSITION	
-	NC	
Z	NO	
Y	Universal	
D1	Diverting	
X	Mixing	
R	BI directional NC	
S	BI directional NO	

09	COIL DIA	
A	8mm AC	
B	8mm DC	
C	10mm AC	
D	10mm DC	
E	14mm AC	
F	14mm DC	
G	14mm FLP AC	
H	14mm FLP DC	
I	18mm AC	
J	18mm DC	
K	30mm AC	
L	30mm DC	
M	28mm	
O	5.5mm DC	
Q	5mm DC	
T	12mm AC	
U	12mm DC	
V	18mm FLP AC	
W	18mm FLP DC	
5	14mm SS FLP AC	
6	14mm SS FLP DC	
7	14mm Bottom Cable Entry Exp. AC	
7D	14mm Bottom Cable Entry Exp. DC	
8	18mm Bottom Cable Entry Exp.AC	
8D	18mm Bottom Cable Entry Exp. Dc	

10	FEATURES	
-	W/O Mor	
M	Turn Mor	
P	Push Mor	
M1	Push & Turn Mor	
P1	Pull Mor	
3	3 Position Mor	

12	CONFIGURATION	
-	REGULAR	
C1	CONFIG 1	
...	...	
C9	CONFIG 9	
CA	CONFIG 10	
CB	CONFIG 11	

13	VERSION	
-	VERSION 0	
V1	VERSION 1	
...	...	
V9	VERSION 9	
VA	VERSION 10	

11 ORIFICE IN MM			
100	10mm ORIFICE	016	1.6mm ORIFICE
120	12mm ORIFICE	018	1.8mm ORIFICE
152	15.2mm ORIFICE	020	2mm ORIFICE
170	17mm ORIFICE	022	2.2mm ORIFICE
180	18mm ORIFICE	025	2.5mm ORIFICE
200	20mm ORIFICE	028	2.8mm ORIFICE
250	25mm ORIFICE	030	3mm ORIFICE
300	30mm ORIFICE	031	3.1mm ORIFICE
005	0.5mm ORIFICE	035	3.5mm ORIFICE
006	0.6mm ORIFICE	040	4mm ORIFICE
007	0.7mm ORIFICE	045	4.5MM ORIFICE
008	0.8mm ORIFICE	050	5mm ORIFICE
009	0.9mm ORIFICE	060	6mm ORIFICE
010	1mm ORIFICE	064	6.4mm ORIFICE
012	1.2mm ORIFICE	070	7mm ORIFICE
013	1.3mm ORIFICE	080	8mm ORIFICE
015	1.5mm ORIFICE		

**DAS-DA104E031**  
1/4" 2 WAY DIRECT ACTING ALUMINIUM-NITRILE-0 TO 10 Bar  
-BSP-NC-14MM AC-3.1MM ORIFICE



# Global Presence...



Made In India



## CONTACT US:

For Domestic Inquiry

✉ [sales@uflowvalve.com](mailto:sales@uflowvalve.com) 📞 +91 85110 98822 🌐 [www.uflowvalve.com](http://www.uflowvalve.com)

For Export Inquiry

✉ [export@uflowvalve.com](mailto:export@uflowvalve.com) 📞 +91 99744 77370 📞 +91 78018 09550

📍 Uflow Automation, Ankur Industrial Complex, Survey No: 275/276, Plot No: 31, Nr. Intol Cast Pvt. Ltd. Shapar(Veraval) Dist.: Gujarat (India) - 360 024.